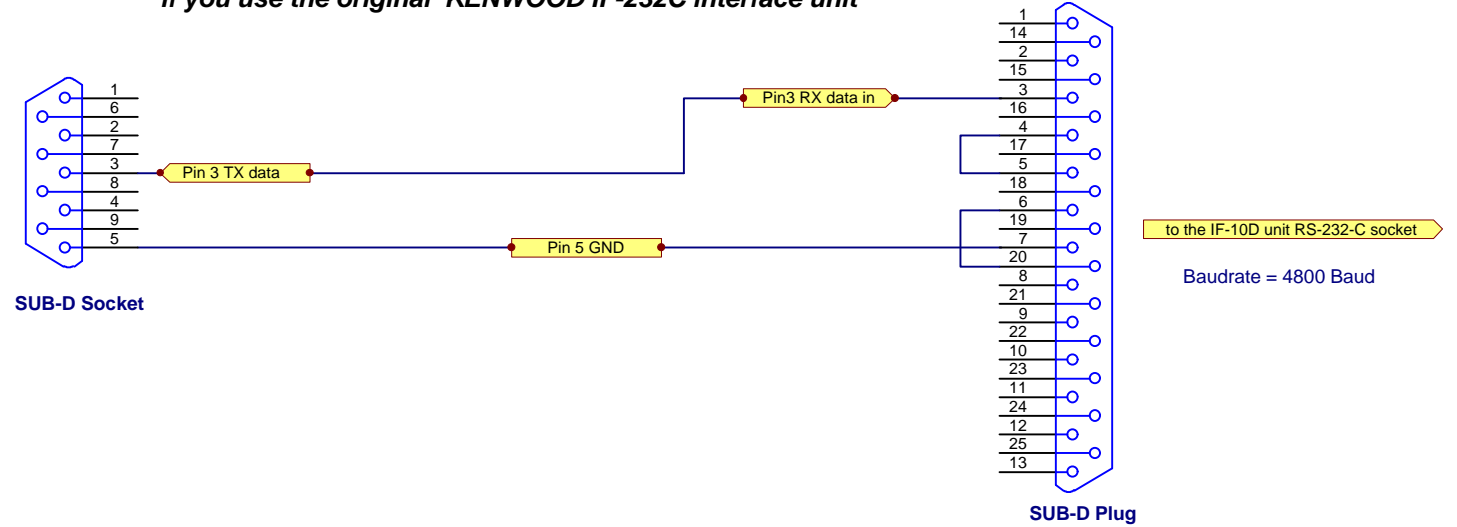
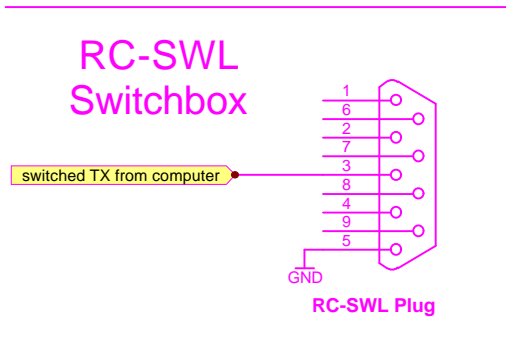


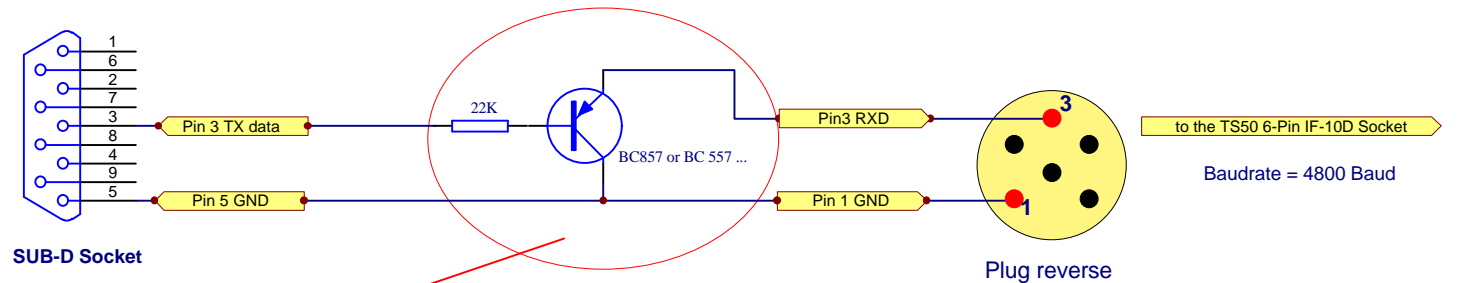
if you use the original KENWOOD IF-232C interface unit




use the following connections, then the IF-232C interface is not required



for self made IF-232C interface



Some Kennwoods works without resistor and transistor -- like TS-690.....

 CABLE- AND JUNCTIONS Service WORKFILE: CABRC09		date:
		01.09.98
Switchmodul:	receiver type: for IF-10D interface	
RC-SWL	KENWOOD TS50, etc...	
Intern Info: for RadioCom receiver control		